

GL Series Switch Disconnectors (Yun 3.0)

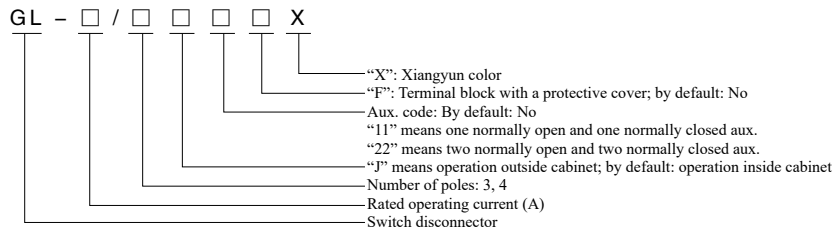


1 Overview

GL series switch disconnector is suitable for AC power systems, and is primarily installed in low-voltage distribution circuits for infrequent connection and disconnection of main circuit and for isolation and disconnection of lines, suitable for energy storage, electric power, and construction industries. The product is used in the power lines with the rated voltage up to AC690V (50Hz) and with the resistive current up to 800A.

This product complies with IEC 60947-3 standard.

2 Type Designation



One normally open and one normally closed	11	1NO+1NC
Two normally open and two normally closed	22	2NO+2NC

3 Technical Parameters

Resistive current Ith	100		160	250	400	800
Rated operating current Ie (A)	63	100	125、160	200、250	400	630、800
Rated insulation voltage Ui (V)	1000					
Rated operating voltage Ue (V)	AC415/690	AC415	AC415/690			
Rated impulse withstand voltage Uimp (kV)	8		12			
Rated short time withstand current Icw (kA/s)	2		7	9	20	20
Use category	AC-23B		AC-23A(AC415V)、AC-22A(AC690V)			
Making and breaking capacity	ON	10Ie/3Ie				
	OFF	8Ie/3Ie				
Service life (times)	Mechanical life	12000	12000	12000	12000	12000
	Electrical life	300	1000	1000	1000	500

4 Operating Conditions

4.1 Ambient air temperature

The upper limit of ambient air temperature does not exceed +40°C, and the mean temperature does not exceed +35°C within 24 hours. The lower limit of ambient air temperature is not below -5°C.

4.2 Altitude

The altitude at the installation site does not exceed 2000m.

4.3 Atmospheric conditions

4.3.1 The relative humidity of the atmosphere at the installation site does not exceed 50% at a maximum temperature of +40°C. A high relative humidity may be allowed at lower temperatures, such as 90% at 20°C. Special measures should be taken for condensation occurred occasionally due to temperature changes.

4.3.2 Pollution degree: 3.

4.3.3 Protection grade: IP20.

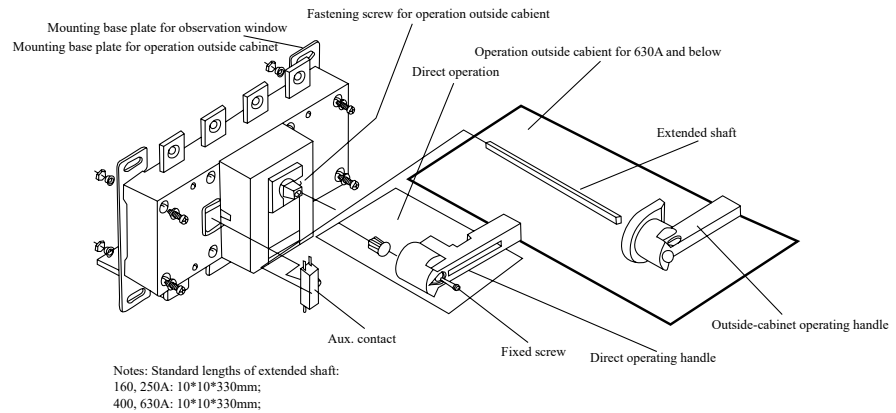
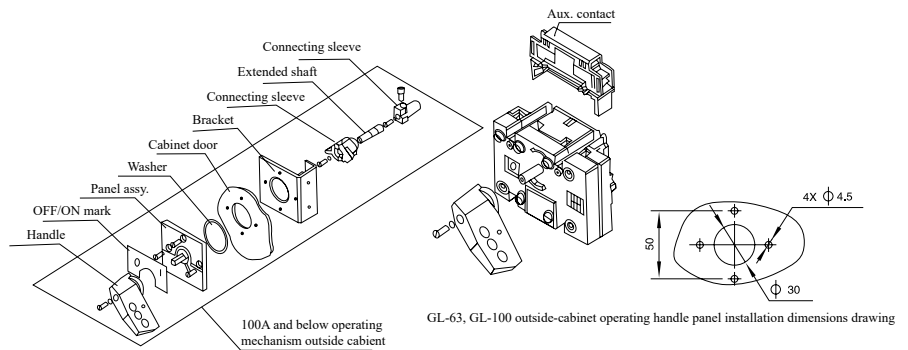
4.4 Installation category: III; There is no significant shaking, shock vibration, or rain and snow intrusion at the installation site; furthermore, there is no explosion hazard medium and there is no gas or dust sufficient to cause metal corrosion and damage to the insulation in the medium at the installation site.

4.5 The product shall be installed vertically, and the position indicated by the indicator end of the handle should be consistent with the product status; under normal circumstances, when the handle is in the horizontal position, the product is in the OFF state.

GL Series Switch Disconnectors (Yun 3.0)

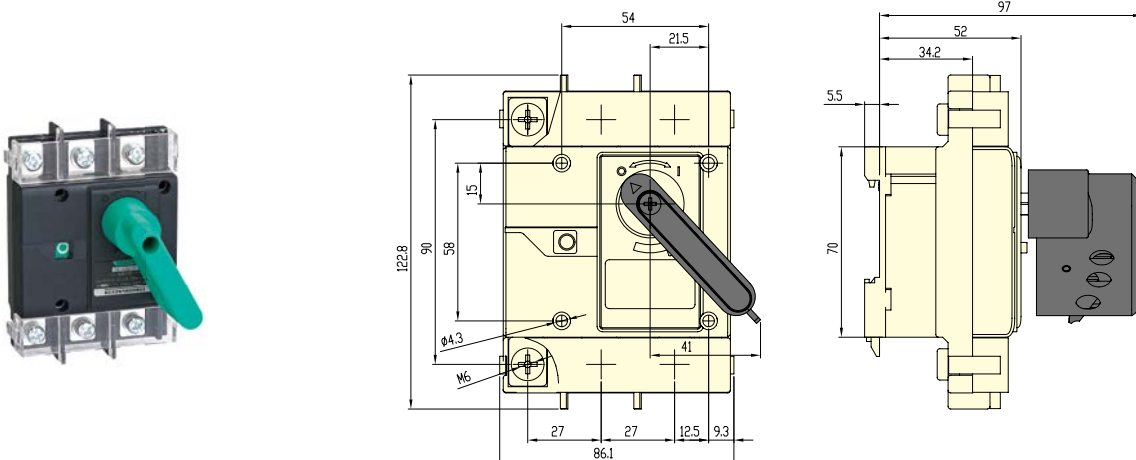
5 Installation Method

The installation method is shown in the figure below. An extended shaft is required for the outer dimension of the cabinet, and the handle (shaft) installed on the panel (door) shall be coaxial (aligned) with the long shaft. If failed to align, the cabinet door is not easily closed and is operated difficultly to cause damage to the operating mechanism. The length of the long shaft shall be determined according to the installation distance from the product to the panel (door) and the length (about 30mm) of shaft inserted into the handle, and the default length of long shaft is 330mm. The installation method diagram is shown below.



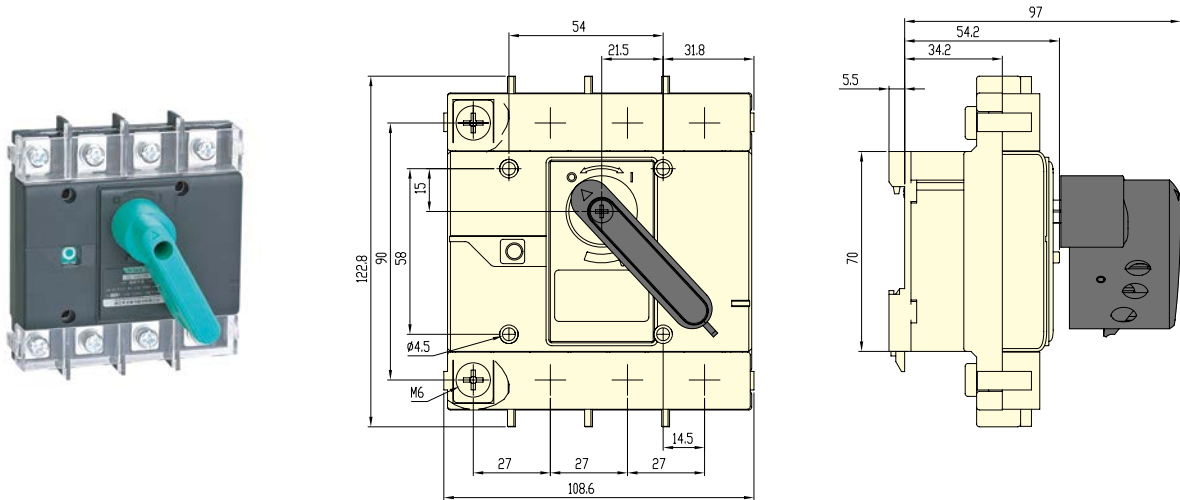
6 Outline and Installation Dimensions

6.1 GL-100/3 outline and installation dimensions

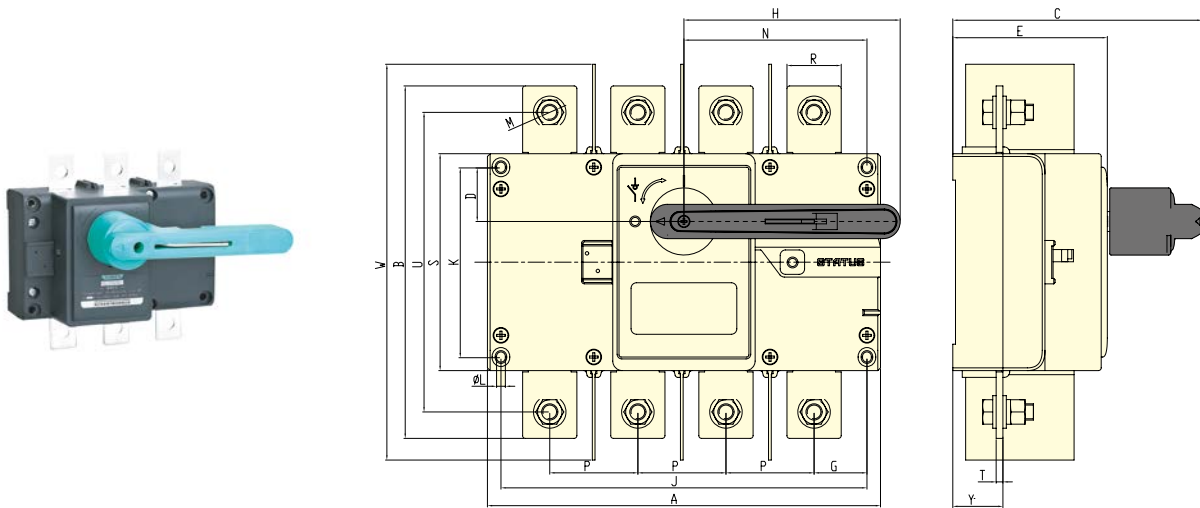


GL Series Switch Disconnectors (Yun 3.0)

6.2 GL-100/4 outline and installation dimensions



6.3 GL-125~800 outline and installation dimensions



Spec.	Outline and installation dimensions (mm)																		
Current	A	B	C	D	E	G	H	J	K	L	M	N	P	R	S	T	U	W	Y
160/3	140	135	125	17	70	21	115	120	65	5.5	8	75	36	20	85	3	117	222	23
160/4	170	135	125	17	70	21	115	150	65	5.5	8	75	36	20	85	3	117	222	23
250/3	180	170	140	25	86	27.5	145	160	90	6.5	10	105	50	25	110	3	140	246	27
250/4	230	170	140	25	86	27.5	145	210	90	6.5	10	105	50	25	110	3	140	246	27
400/3	230	240	185	40	115	39	160	210	140	6.5	10	135	65	32	160	4.5	208	292	36.5
400/4	290	240	185	40	115	39	160	270	140	6.5	10	135	65	32	160	4.5	208	292	36.5
800/3	230	260	185	40	115	39	160	210	140	6.5	12	135	65	40	160	5	220	292	37
800/4	290	260	185	40	115	39	160	270	140	6.5	12	135	65	40	160	5	220	292	37

GL Series Switch Disconnectors (Yun 3.0)

7 Ordering Notice

Please specify the type and characteristics of the switch, the voltage grade, the current grade, the number of poles, the operation method, and the quantity when ordering. For special order, please contact our company's technical department.

For example: GL-160/3X 160A (Yun 3.0) 10 units.